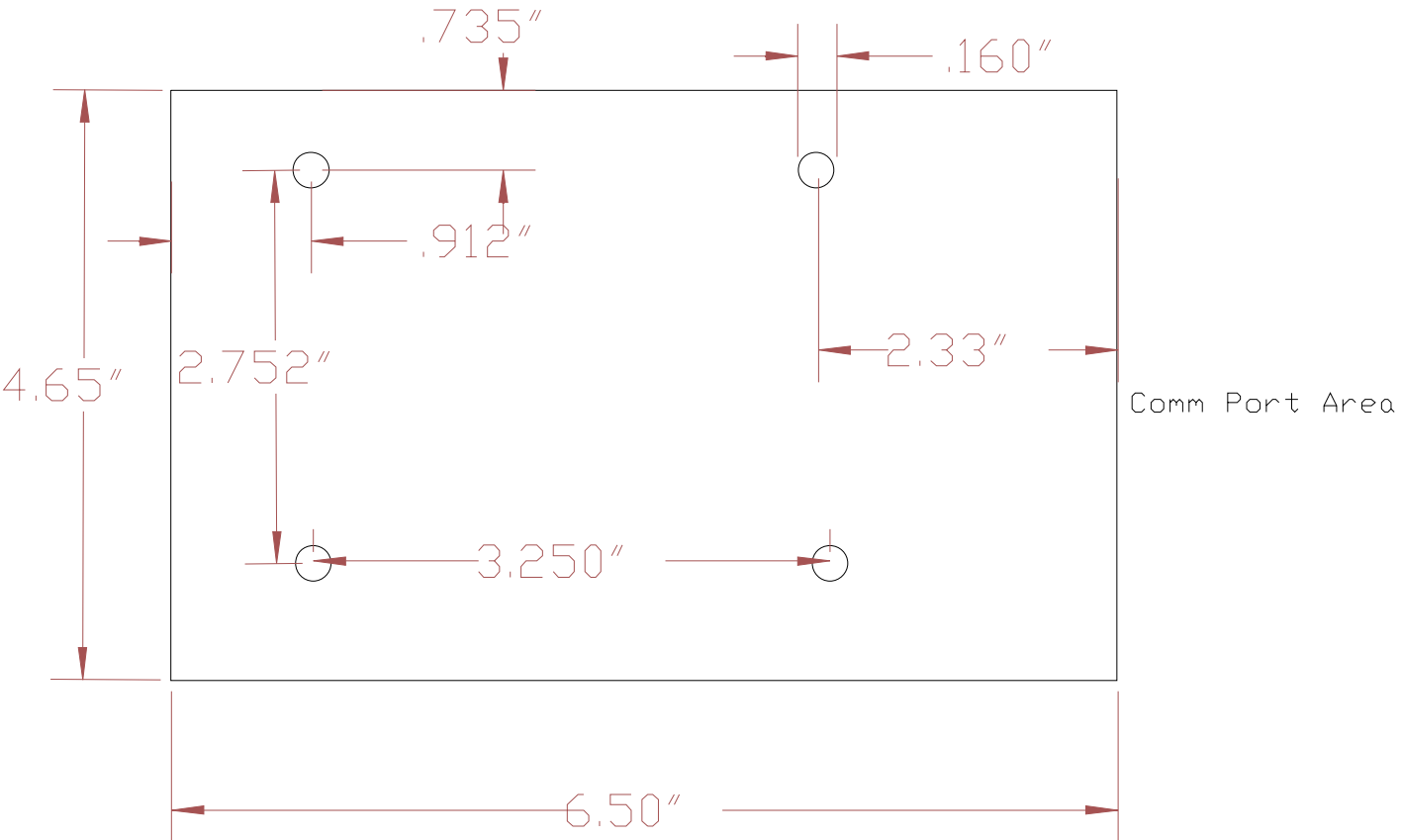


REV.	DATE	BY	APPR.	DESCRIPTION OF CHANGE



Overall height of board is 1.640"

ALL COMPONENTS MUST BE UL RECOGNIZED

SEE SEPARATE BOM

THIS DOCUMENT AND THE INFORMATION HERE ON ARE THE PROPERTY OF VENDAPIN LLC. IT MAY NOT BE COPIED, NOR MAY THE INFORMATION BE DISCLOSED TO ANY PERSON, TRANSLATED BY ANY MEANS, OR USED FOR ANY PURPOSE WITHOUT WRITTEN AUTHORIZATION FROM VENDAPIN LLC.	VENDAPIN LLC	APPROVALS:	DATE:	TOLERANCES: X ± .5	TITLE: Raptor II CPU			REV
		DRN:	04-12-06	.X ± .25				
		APPROVED:		DIMS IN INCHES	SHEET: 1 OF 1	SCALE: NONE	DATE: 04-12-06	PART NUMBER: 606000-001
							100-000909	